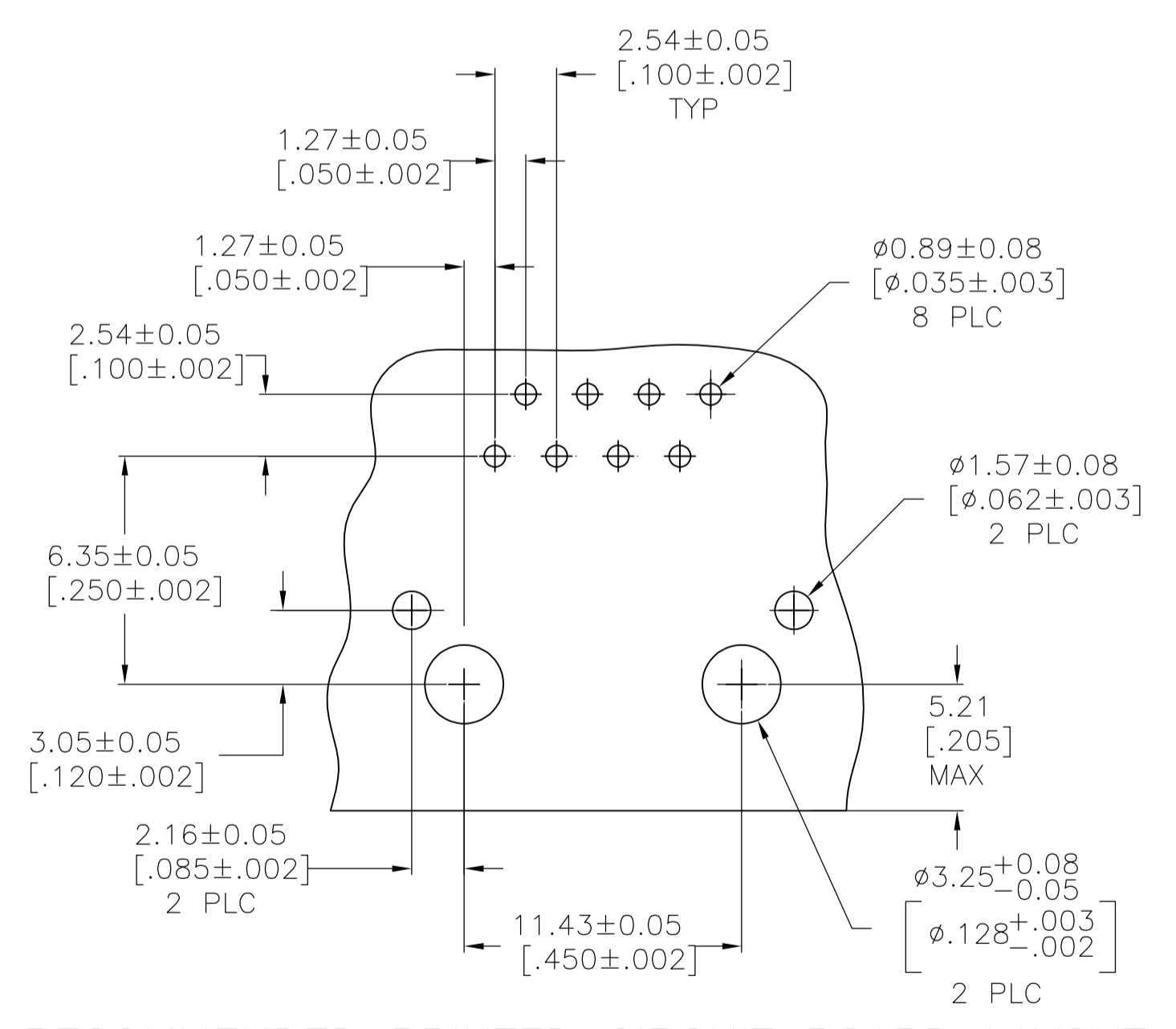
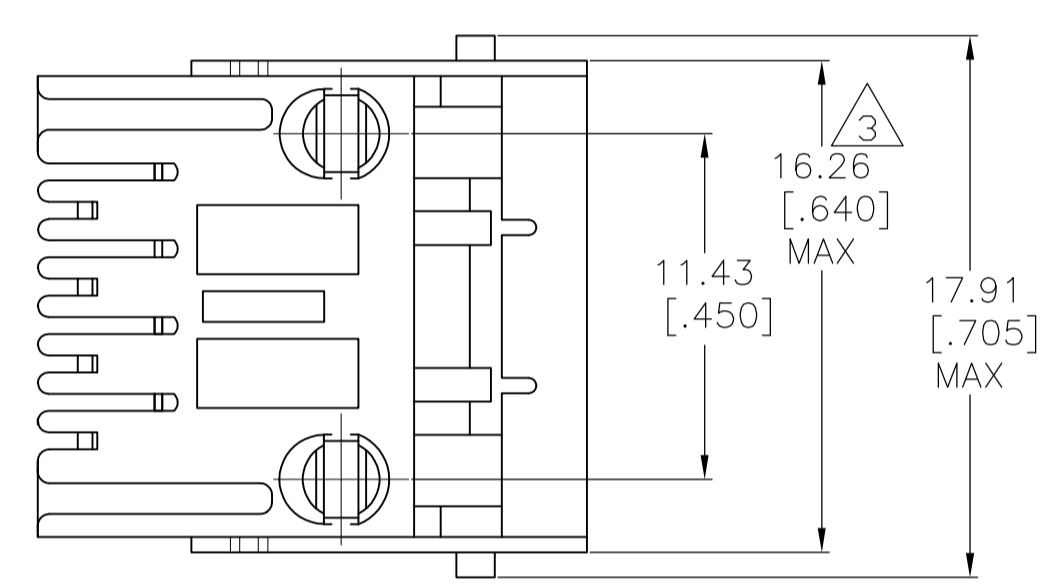
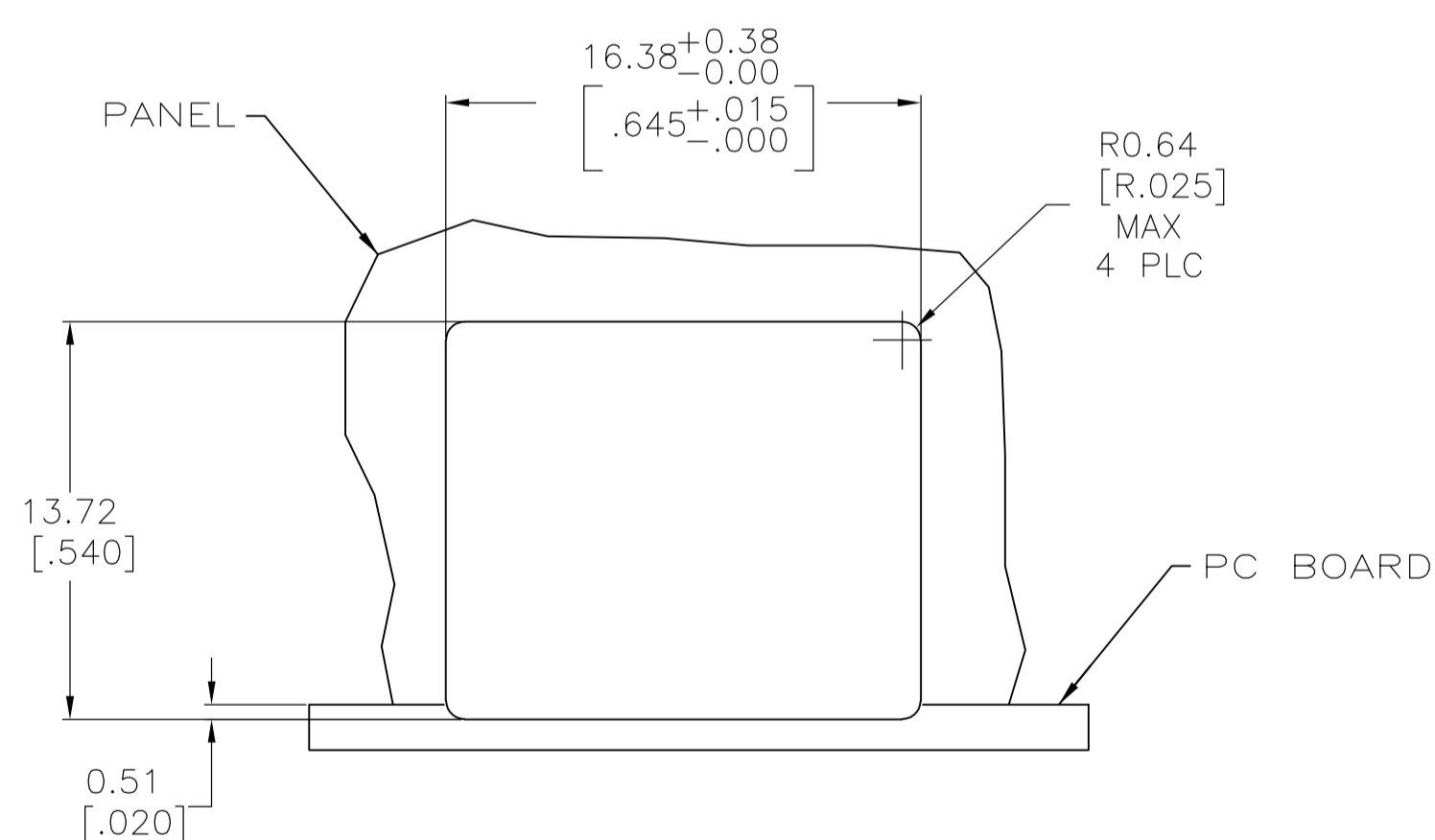


1. MATERIAL:
 HOUSING - PBT POLYESTER, COLOR: BLACK
 TERMINAL - 0.36[.014] THICK PHOS BRONZE PLATED WITH 1.27µm [.000050] THICK HARD GOLD IN LOCALIZED GOLD PLATE AREA AND 3.81µm [.000150] THICK MATTE TIN IN SOLDER AREA OVER 1.27µm [.000050] THICK NICKEL UNDERPLATE
 SHIELD - 0.25 [.010] THICK COPPER ALLOY PLATED WITH 3.0µm [.000120] MINIMUM THICK REFLOWED TIN
2. CAVITY CONFORMS TO FCC RULES AND REGULATIONS PART 68, SUBPART F.
3. DIMENSIONS MEASURED ALONG FRONT EDGES OF MATING FACE



RECOMMENDED PRINTED CIRCUIT BOARD LAYOUT (COMPONENT SIDE)



RECOMMENDED PANEL CUTOUT

5556926-1
 PART NUMBER

THIS DRAWING IS A CONTROLLED DOCUMENT.		DN G. ATTADIA - 10JUN2005	Tyco Electronics Corporation Harrisburg, PA 17105-3608
DIMENSIONS: mm [INCHES]		CHK J. WESTMAN 10JUN2005	
TOLERANCES UNLESS OTHERWISE SPECIFIED:		APVD S. FLICKINGER 10JUN2005	NAME MODULAR JACK ASSEMBLY, SHIELDED, 8 POSITION, LOW PROFILE, RIGHT ANGLE, WITH PANEL GROUNDS
0 PLC ± -		PRODUCT SPEC 108-1163	
1 PLC ± -		APPLICATION SPEC 114-2048	SIZE A1
2 PLC ± 0.13[.005]		WEIGHT -	SCALE 4:1
3 PLC ± -		CUSTOMER DRAWING	SHEET 1 OF 1
4 PLC ± -		REV C	REV C
ANGLES ± -			
MATERIAL SEE NOTE 1		FINISH SEE NOTE 1	